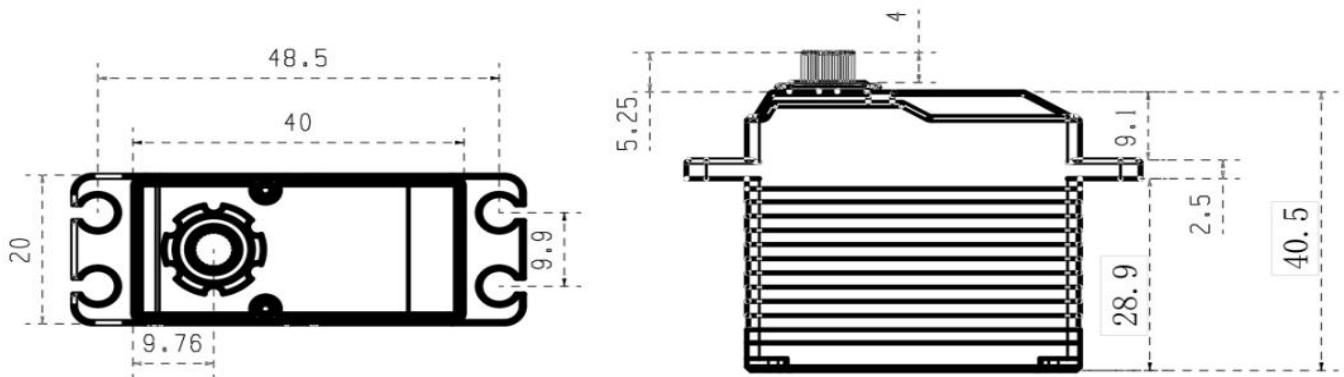


A70BHV

Control System	Positive PWM control (1520 μsec /333hz Neutral)		
Operation Voltage Range	10.0V ~15.0V		
Operation Temperature Range	-20C°~ +60C°		
Circle	> 1000000 times without load		
Operation Travel	60°±1		
Limit angle	180° or 270°		
Direction	Re-clock wise/ Pulse Travel 500→2500 μsec		
Diver type	Mos Drive		
Motor Type	Brushless motor		
Potentiometer Type	Direct Drive		
Amplifier Type	Digital Control		
Dimensions	40x20x40.50mm		
Weight	83g (without servo horn)		
Test Voltage	At 10.0V	At 12.0V	At 14.0V
Standing Torque	56kg-cm	65kg-cm	70kg-cm
Speed	0.13sec/60°	0.10sec/60°	0.09sec/60°
Idle Current	400mA	450mA	550mA
Running Current	5500mA	6800mA	8000mA
Dead band width	1usec	1usec	1usec
Ball Bearing	2BB		
Gear Material	Metal Gear		
Case Material	Aluminum Case		
Connector Wire Length	280MM JR Plug		
Connector Wire Gauge	22AWG		
Wire Info	Negative		
Wire Info	Positive		
Wire Info	Signal		
Application	Car model; fixed-wing aircraft; helicopter; robot		



GOTECK RC INC A70BHV

