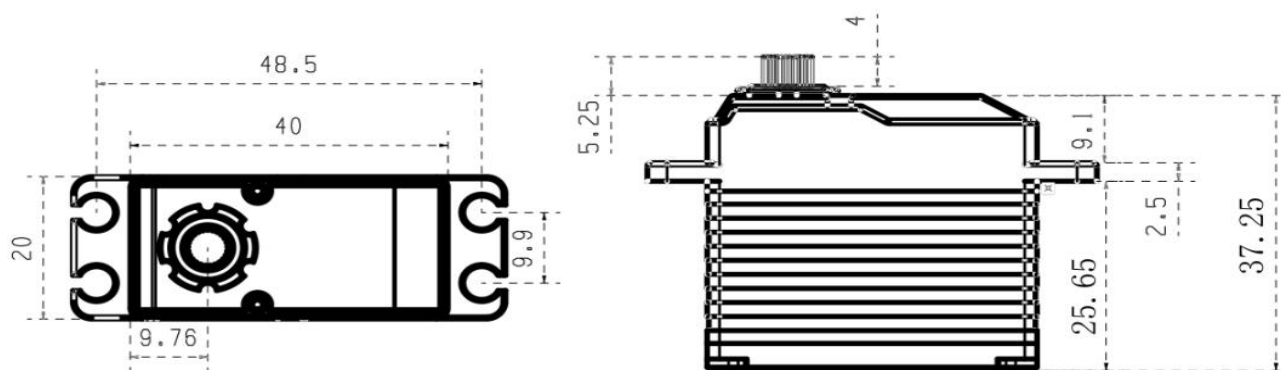


## A45BHV

Control System	Positive PWM control (1520 μsec /333hz Neutral)		
Operation Voltage Range	6.0V ~8.4V		
Operation Temperature Range	-20C°~ +60C°		
Circle	> 100万times without load		
Operation Travel	60°±1		
Limit angle	180° or 270°		
Direction	Re-clock wise/ Pulse Travel 500→2500 μsec		
Diver type	Mos Drive		
Motor Type	Brushless motor		
Potentiometer Type	Direct Drive		
Amplifier Type	Digital Control		
Dimensions	40x20x37.25mm		
Weight	78g (without servo horn)		
Test Voltage	At 6.00V	At 7.4V	At 8.4V
Standing Torque	34kg-cm	41kg-cm	45kg-cm
Speed	0.12sec/60°	0.09sec/60°	0.08sec/60°
Idle Current	300mA	320mA	350mA
Running Current	4500mA	5500mA	6800mA
Dead band width	1usec	1usec	1usec
Ball Bearing	2BB		
Gear Material	Metal Gear		
Case Material	Aluminum Case		
Connector Wire Length	300MM JR Plug		
Connector Wire Gauge	22AWG		
Wire Info	Negative		
Wire Info	Positive		
Wire Info	Signal		
Application	Car model; fixed-wing aircraft; helicopter; robot		



GOTECK RC INC A45BHV

