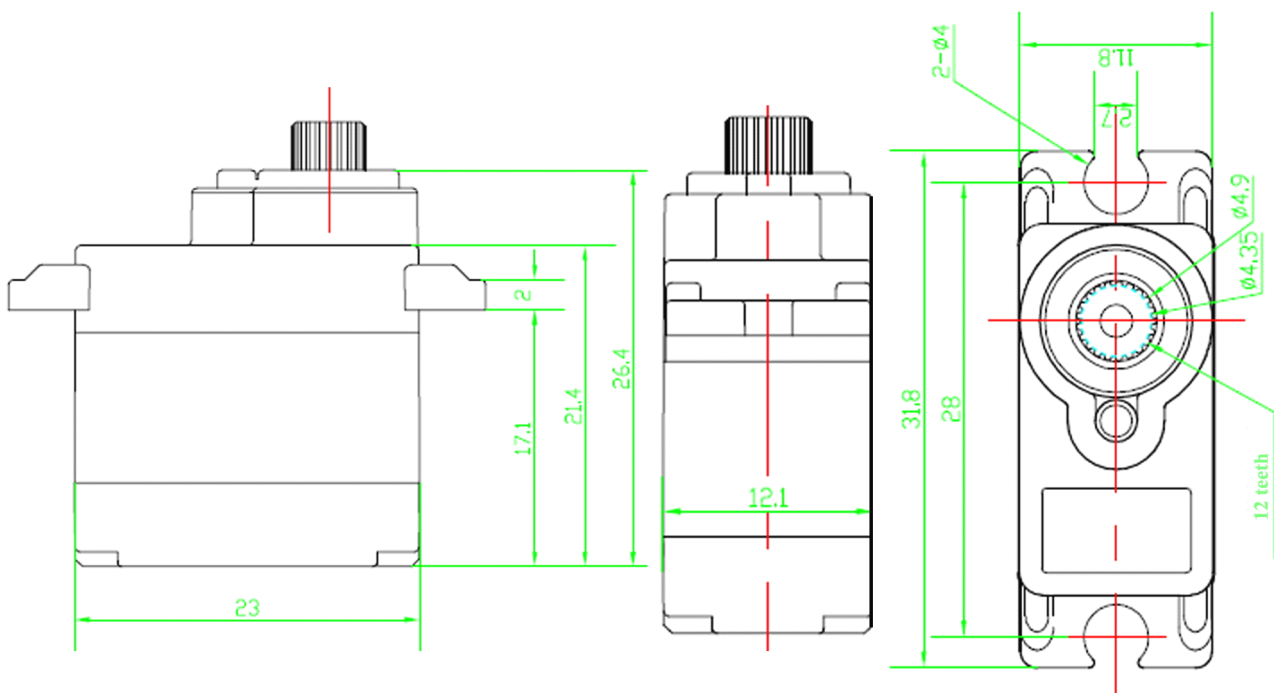


GS-9018MG

Control System	Positive PWM control 1500 usec Neutral	
Operation Voltage Range	4.8V ~ 6.0V	
Operation Temperature Range	-20C° ~ +60C°	
Test Voltage:	At 4.8V	At 6.0V
Standing Torque	1.5kg.cm	1.8kg.cm
Speed	0.10 sec / 60 deg at no load	0.09sec / 60 deg at no load
Idle Current	200mA at stopped	250mA at stopped
Running Current	800mA at no load	1000mA at no load
Dead band width	7 usec	7 usec
Circle	15000 times	
Operation Travel	60° ± 10°	
Direction	Re-clock wise/ Pulse Travel 1500 to 1900 usec	
Driver type	FET drive	
Motor Type	Metal gear	
Potentiometer Type	Indirect drive	
Amplifier Type	Analog Control	
Dimensions	23*12.1*25.8 mm	
Weight:	11g without splined horn	
Ball Bearing	Top ball bearing	
Gear Material	Metal	
Case Material	POM	
Connector Wire Length	180mm	
Connector Wire Gauge	26AWG heavy duty (JR Univeral)	
Wire Info (Brown)	Negative	
Wire Info (Red)	Positive	
Wire Info (Orange)	S Single	



GOTECK RC INC

GS-9018MG

