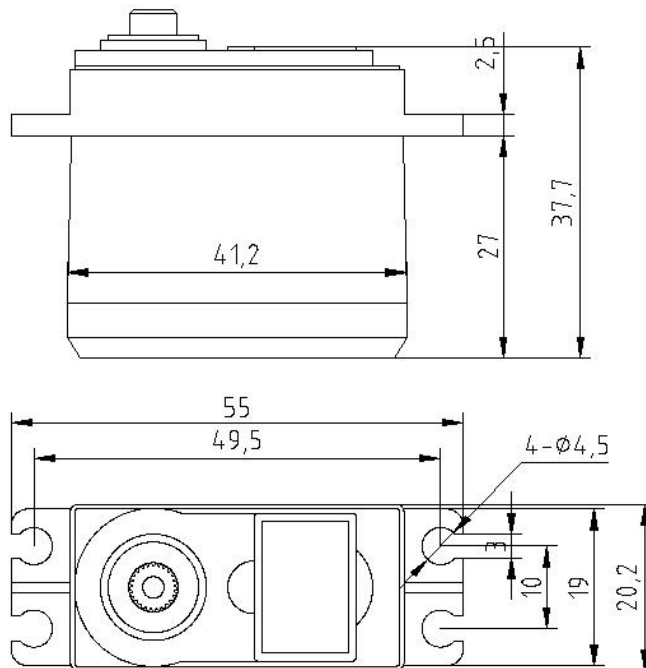


GS-5511DMG

Control System	Positive PWM control 1500 usec Neutral	
Operation Voltage Range	4.8V ~ 7.2V	
Operation Temperature Range	-20C°~ +60C°	
Test Voltage:	At 4.8V	At 6.0V
Standing Torque	11kg.cm	13kg.cm
Speed	0.25 sec / 60 deg at no load	0.23 sec / 60 deg at no load
Idle Current	250mA at stopped	300mA at stopped
Running Current	1200mA at no load	1500mA at no load
Dead band width	3 usec	3 usec
Circle	10000 times	
Operation Travel	60° ± 10°	
Direction	Re-clock wise/ Pulse Travel 1500 to 1900 usec	
Driver type	FET drive	
Motor Type	Carbon Brush	
Potentiometer Type	Indirect drive	
Amplifier Type	Digital Control	
Dimensions	40.8*20.1*38.0 mm	
Weight:	55g without splined horn	
Ball Bearing	Double ball bearing	
Gear Material	Metal gear	
Case Material	Nylon plus fiber	
Connector Wire Length	300mm	
Connector Wire Gauge	22AWG heavy duty (JR Universal)	
Wire Info (Brown)	Negative	
Wire Info (Red)	Positive	
Wire Info (Orange)	S Single	



GS-5511DMG

